

SPECIFICATIONS

Controlling Device:

Digital Alert Systems' DASDEC or PC

Password Protection:

Always in Setup.
 Optional on Control.
 Up to 10 Characters long.

Output Connector:

Detachable Screw Connectors

Relay Capacity:

1 Amp at 28 Volts DC
 (4) SPDT, NO, NC

Input Connector:

RJ-45

Network:

10/100 BaseT
 TCP port selectable
 Programmable Gateway

Power Requirement for External Power Supply:

+12VDC, 100-240V, 50/60 Hz
 Wall unit supplied

Physical:

1 Standard Rack Unit
 19" W X 1.75" H X 6" D
 6 lbs.

Emergency Messaging Platforms CATV Switching and Control

100 Housel Ave., P.O. Box 535
 Lyndonville, NY 14098
 (585)765-2254 (585)765-1155
 fax (585)765-9330

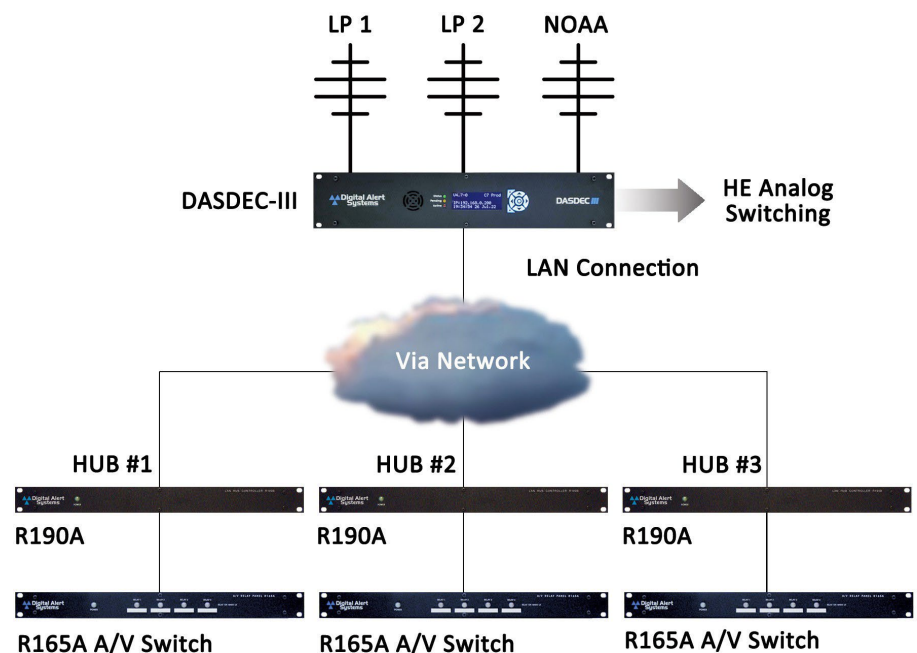
www.digitalalertsystems.com

Copyright © 2024 Digital Alert Systems Inc.
 Information herein is considered accurate at the time of publication. We constantly strive to improve our products and services therefore some specifications are subject to change without notice. One-NetSM, DASDEC-II, MultiStation, Multiplayer, EAS-Net, EAS-CAP, CMPro and CMPlus are trademarks of Digital Alert Systems Inc. Other logos and trademarks are property of their respective owners.
 All rights reserved

FEATURES

- Convenient detachable screw terminal connections
- Remote contact closures
- Four separate relays - can be individually labeled
- Interfaces with Digital Alert Systems DASDEC or can be controlled by a PC

Typical R190A Application



DESCRIPTION

Digital Alert Systems Model R190A provides remote contact closure from either a central DASDEC Encoder/Decoder for EAS applications, or from any web browser for Remote Control applications.

Model R190A supplies remote contact closure from a central DASDEC allowing the operator to perform functions at peripheral hubs from the central site during EAS alerts.

LAN IP address may be assigned via any PC using a web browser.

Up to (8) eight R190As can be controlled by a single DASDEC.

Each relay contact can be addressed by FIPS code from the controlling DASDEC making remotely switched by FIPS code possible.

Can also be used in CATV Applications.

The R190A can also serve as a stand-alone remote control that allows the user to control 4 DPST relays at a remote location with commands issued from any computer with a web browser through a network connection to the R190A.

Network Remote Control

FEATURES

- **Secure Web log-in**
- **Continuously updated relay status**
- **Individual relay can be set to a momentary time (0.1 to 86,400 seconds) or latching**
- **Four separate relays - can be individually labeled**
- **Interfaces with many Digital Alert Systems RF/IF/AV switches**
- **Detachable screw terminal connections**

