

SPECIFICATIONS

Controlling Device:

Digital Alert Systems' DASDEC or PC

Password Protection:

Always in Setup.
Optional on Control.
Up to 10 Characters long.

Output Connector:

Detachable Screw Connectors

Relay Capacity:

1 Amp at 28 Volts DC
(4) SPDT, NO, NC

Input Connector:

RJ-45

Network:

10/100 BaseT
TCP port selectable
Programmable Gateway

Power Requirement for External Power Supply:

+12VDC, 100-240V, 50/60 Hz
Wall unit supplied

Physical:

1 Standard Rack Unit
19" W X 1.75" H X 6" D
6 lbs.

Emergency Messaging Platforms CATV Switching and Control

100 Housel Ave., P.O. Box 535
Lyndonville, NY 14098
(585)765-2254 (585)765-1155
fax (585)765-9330

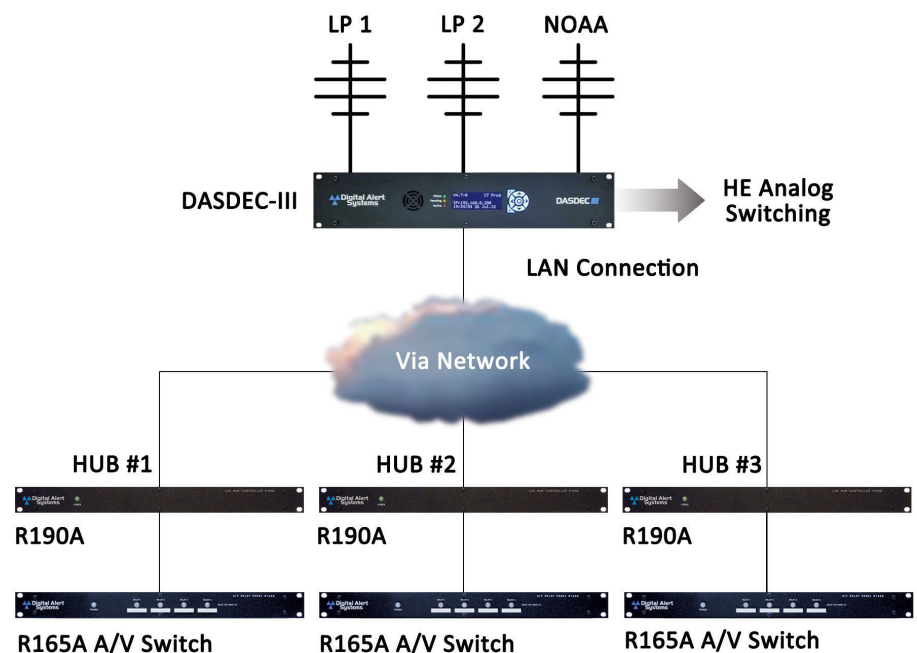
www.digitalalertsystems.com

Copyright © 2024 Digital Alert Systems Inc.
Information herein is considered accurate at the time of publication. We constantly strive to improve our products and services therefore some specifications are subject to change without notice. One-NetSM, DASDEC-II, MultiStation, Multiplayer, EAS-Net, EAS-CAP, CMPro and CMPlus are trademarks of Digital Alert Systems Inc. Other logos and trademarks are property of their respective owners.
All rights reserved

FEATURES

- Convenient detachable screw terminal connections
- Remote contact closures
- Four separate relays - can be individually labeled
- Interfaces with Digital Alert Systems DASDEC or can be controlled by a PC

Typical R190A Application



DESCRIPTION

Digital Alert Systems Model R190A provides remote contact closure from either a central DASDEC Encoder/Decoder for EAS applications, or from any web browser for Remote Control applications.

Model R190A supplies remote contact closure from a central DASDEC allowing the operator to perform functions at peripheral hubs from the central site during EAS alerts.

LAN IP address may be assigned via any PC using a web browser.

Up to (8) eight R190As can be controlled by a single DASDEC.

Each relay contact can be addressed by FIPS code from the controlling DASDEC making remoted switch by FIPS code possible.

Can also be used in CATV Applications - see reverse side.

The R190A can also serve as a stand-alone remote control allowing operation of any four relays by LAN from any PC with a web browser, permitting remote functions at remote sites with contact closure using any PC with a web browser.

Network Remote Control

FEATURES

- **Secure Web log-in**
- **Continuously updated relay status**
- **Individual relay can be set to a momentary time (1 to 86,400 seconds) or latching**
- **Four separate relays - can be individually labeled**
- **Interfaces with many Digital Alert Systems RF/IF/AV switches**
- **Detachable screw terminal connections**

